

FINISHED FLOOR
ELEV. 143.88



BENCHMARK
NAIL IN INTERSECTION OF
VALNERA AND FRONTAGE
ELEV. 143.67

SCALE: 1"=30'	SHEET: 1 OF 2	JOB #:	12075
APPROVED BY:	1-13-14	PLOT	GCH
DATE		REMARK	DRICH

2925 KENILWORTH BLVD.,
SEBRING, FLORIDA 33870
863-385-5564 PHONE
863-385-2462 FAX

CERTIFICATE OF AUTHORIZATION # 5684
ROGER DALE POLSTON P.E. # 33222
MARVIN LUTHER WOLFE P.E. # 46030
CLINTON E. HOWERTON JR. P.E. # 61021



**SUN 'N LAKE OF SEBRING
UNIT 4 STORMWATER RELIEF POND
PLAN VIEW**

CONSERVATION
AREA:
DO NOT ENTER

10" SHELL
BASE
(700 SQ.FT.)

INSTALL IRRIGATION CONTROLLER
WITH SOLENOID VALVE

EXISTING LOW PRESSURE
SEWER LINE (APPROX LOCATION)

PROPOSED POND - U4
TOP ELEV. 143.0
BOTTOM ELEV 131.0
SHWL 140.0

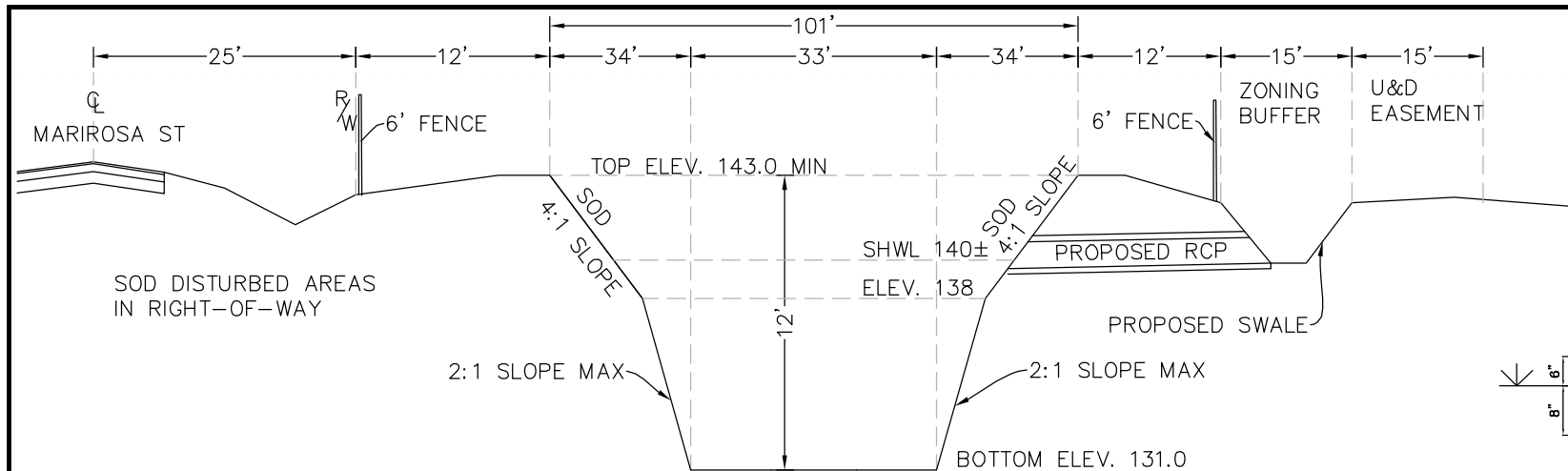
MARIROSA STREET

VALNERA STREET

EXISTING 10" W

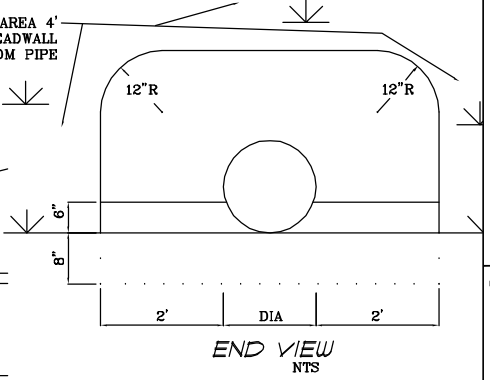
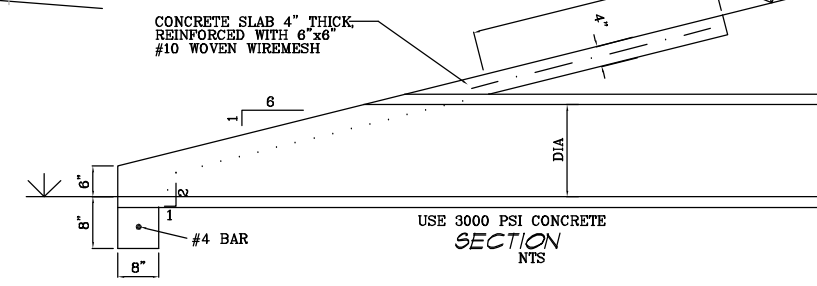
EXISTING FINISHED FLOOR
ELEV. 145.37

EXISTING FINISHED FLOOR
ELEV. 145.40

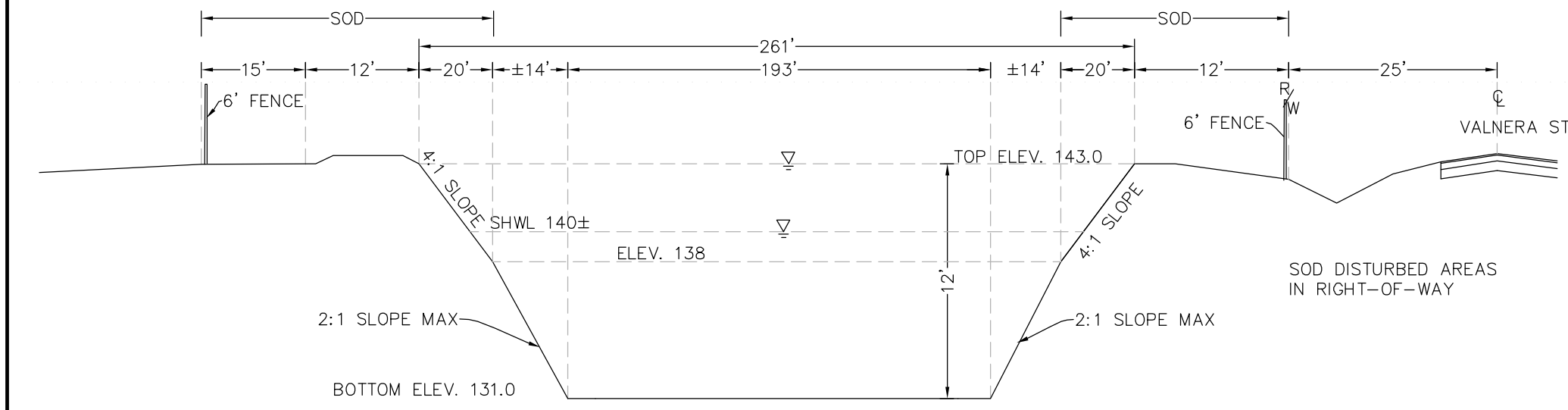


UNIT 4 PROPOSED POND SECTION (EAST/WEST)

USE CLASS III RCP PIPE FOR ALL RCP SPECIFIED PIPE



MITERED END SECTION



UNIT 4 PROPOSED POND SECTION (NORTH SOUTH)

--- = 1" BLACK POLY PIPE STEMING FROM 1 1/2" PVC PIPE TRUNK LINE

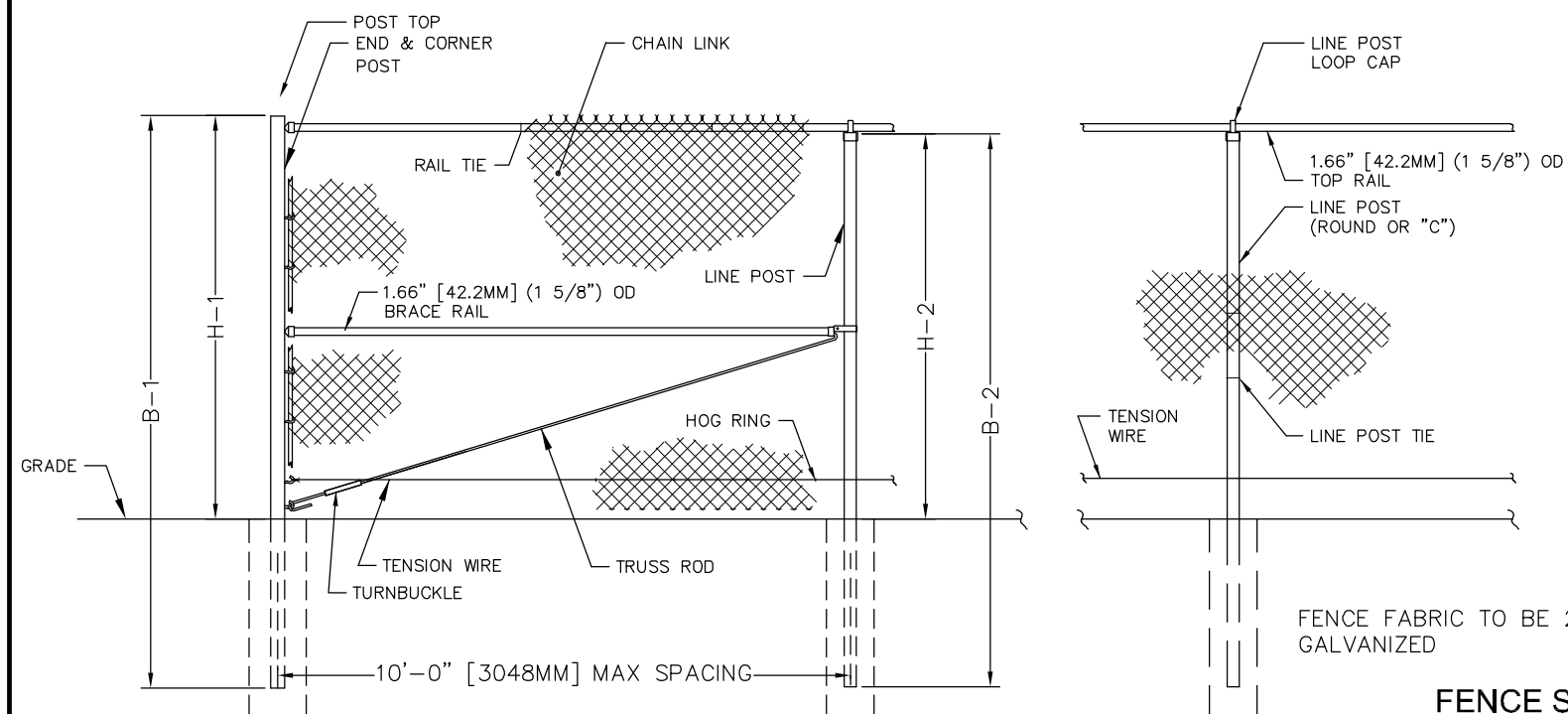
MICRO-JET
1" POLY IRRIGATION LINE

MICRO-JET: 160-DRIP EMITTER
2 GAL/HR
TO BE PLACED AT ONE NOZZLE PER EACH SHRUB

160 = SWEET VIBURNUM (VIBURNUM ODORATISSIMUM) WITH DRIP EMITTER PLANTED 30" ON CENTER WITH CYPRESS OR PINE MULCH 18" HIGH UPON PLANTING AND 36" HIGH WITHIN 12 MONTHS. OF PLANTING. DROUGHT TOLERANT, NATIVE.

[Stippled Area] = GRASSED INTERIOR LANDSCAPE AREA TO PLANTED WITH SOD 2400 C.Y. INSIDE FENCE

LANDSCAPE LEGEND



FENCE SECTION ELEVATION WITH TOP RAIL & WITHOUT BARBED WIRE

END & CORNER POST TOP OPTIONS		TOP & BOTTOM FABRIC OPTIONS	
STANDARD	DOME	TWIST	KNUCKLE

CHAIN LINK SWING GATE

- A. Swing gates [double leaf] 20' and 16' openings by 6' high. Fabricate chain link swing gates in accordance with ASTM F900. Gate frame to be of welded construction. Weld areas to be protected with zinc-rich paint per ASTM A780. The gate frame members are to be spaced no greater than 8' 0" apart horizontally or vertically. Exterior members to be 1.900" OD pipe, interior members when required shall be 1.660" OD pipe. Pipe to be Grade 1 ASTM F1083. Chain link fabric to match specification of fence system. Fabric to be stretched tightly and secured to vertical outer frame members using tension bar and tension bands spaced 12" (304.8 mm) on center and tied to the horizontal and interior members 12" (304.8 mm) on center using 9 gauge galvanized steel ties per section 2.04.
- B. Hinges, hot dip galvanized pressed steel or malleable iron, structurally capable of supporting gate leaf and allow opening and closing without binding. Non-lift-off type hinge design shall permit gate to swing 180°
- C. Latch: Galvanized forked type capable of retaining gate in closed position and have provision for padlock. Latch shall permit operation from either side of gate.
- D. Double gates: Provide galvanized drop rod with center gate stop pipe or receiver to secure inactive leaf in the closed position. Provide galvanized pressed steel locking latch, requiring one padlock for locking both gate leaves, accessible from either side.
- E. Gate holdback: Provide galvanized gate hold back keeper for each gate leaf over 5' wide. Gate keeper shall consist of mechanical device for securing free end of gate when in full open position.

Gate posts: Grade 1 pipe ASTM F1083, 2.875" OD

FENCE HEIGHT NOMINAL HEIGHT	END & CORNER POSTS		LINE POSTS	
	B-1 BAR LENGTH	H-1 HEIGHT ABOVE GRADE	B-2 BAR LENGTH	H-2 HEIGHT ABOVE GRADE
6'-0" [1829MM]	9'-0" [2743MM]	6'-0 5/8" [1845MM]	8'-8" [2642MM]	5'-8 7/8" [1749MM]

2025 KENILWORTH BLVD., SEBRING, FLORIDA 33870
863-385-5564 PHONE
863-385-2462 FAX

CERTIFICATE OF AUTHORIZATION #5884
ROGER DALE POLSTON P.E. # 33222
MARVIN LUTHER WOLFE P.E. # 46130
CLINTON E. HOWERTON JR. P.E. # 61021

SCALE: 1"= 1205'
SHEET: 2 OF 2
JOB #: 1205
PLOT: 1-13-14
APPROVED BY: [Signature]
DATE: [Blank]
REMARK: [Blank]

NOT VALID UNLESS SEALED

Polston Engineering Inc.
CIVIL ENGINEERING CONSULTANTS

SUN'N LAKE IMP. DISTRICT
UNIT 4 STORMWATER RELIEF POND SECTIONS